

TOILET PARTITION HARDWARE

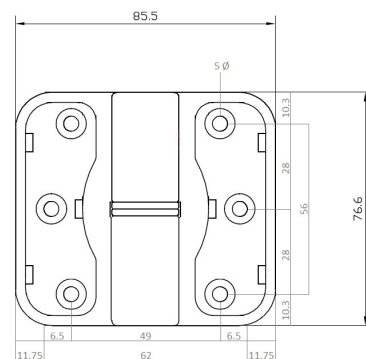


MODAHINGE

Moda Spring Hinge - Concealed Fix

Specification

Material	Diecast Zinc, Alloy ZP3 Brass Shaft Nylon Inserts ABS Snap On Covers
Finish	MODAHINGE_SCP: Satin Chrome Plate (Shown) MODAHINGE_SPP: Satin Pearl Plate DESIGNER_MODAHINGE: Designer Black
Mounting	Concealed Screw Fix
Specify	Left Hand or Right Hand
Features	Spring assisted door opening/door closing Fully Adjustable Spring to suit door - No Tension to Full Tension Spring Reversible Hold Open / Hold Closed Lift off capability
Load Rating	15Kg per hinge For optimum performance - 2 hinges per door up to 30Kgs For doors over 30Kg allow for 15Kg per hinge
Note	For Bolt Through use 106C_FACEPLATE Concealed Fix Face Plate (Available in Satin Chrome Plate only)



Downloads & Resources

Care & Maintenance

The photographs and line drawings of the products presented above are representational only. Metlam Australia Pty Ltd reserves the right to, and from time to time, make changes and improvements in design and dimensions.